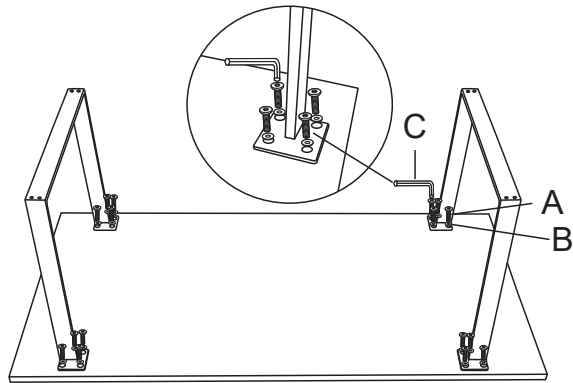
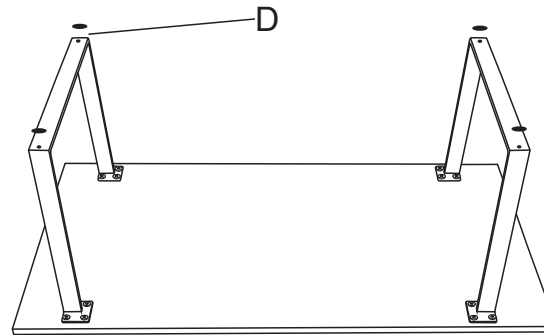


31-19-62

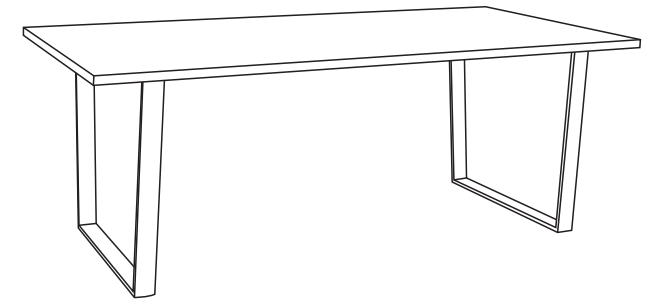
1.



2.



3.



# Assembly Instructions

	x16	x16	x1	x4
A	